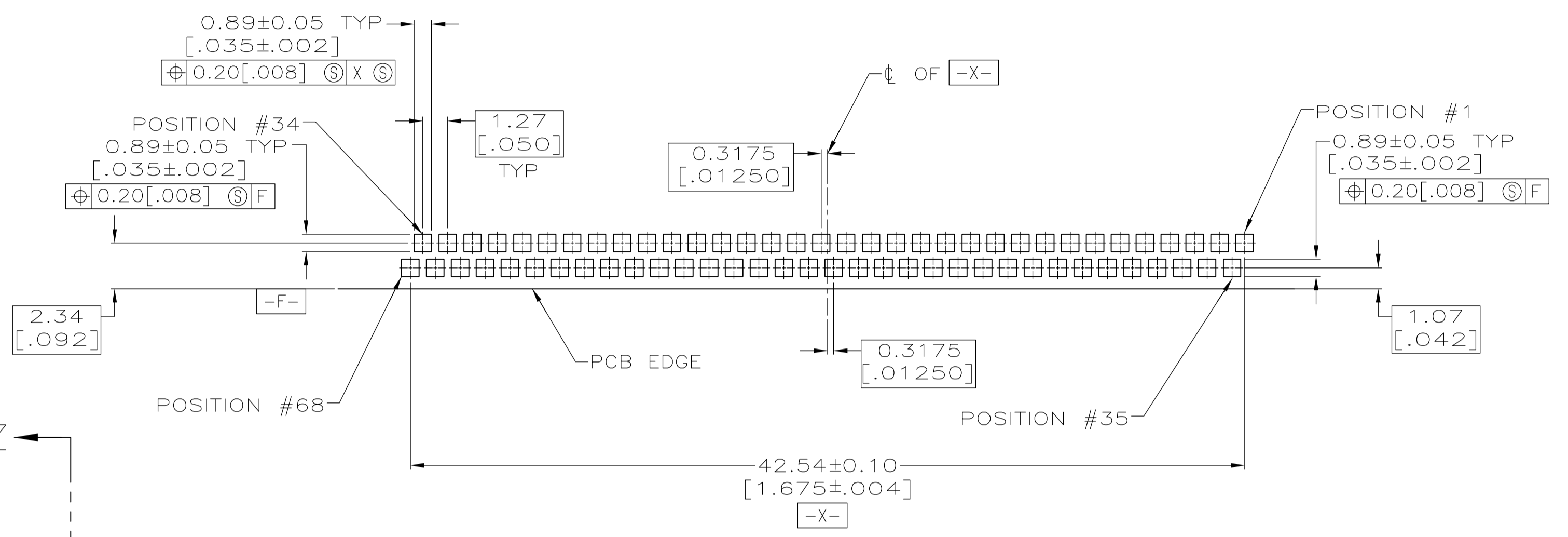
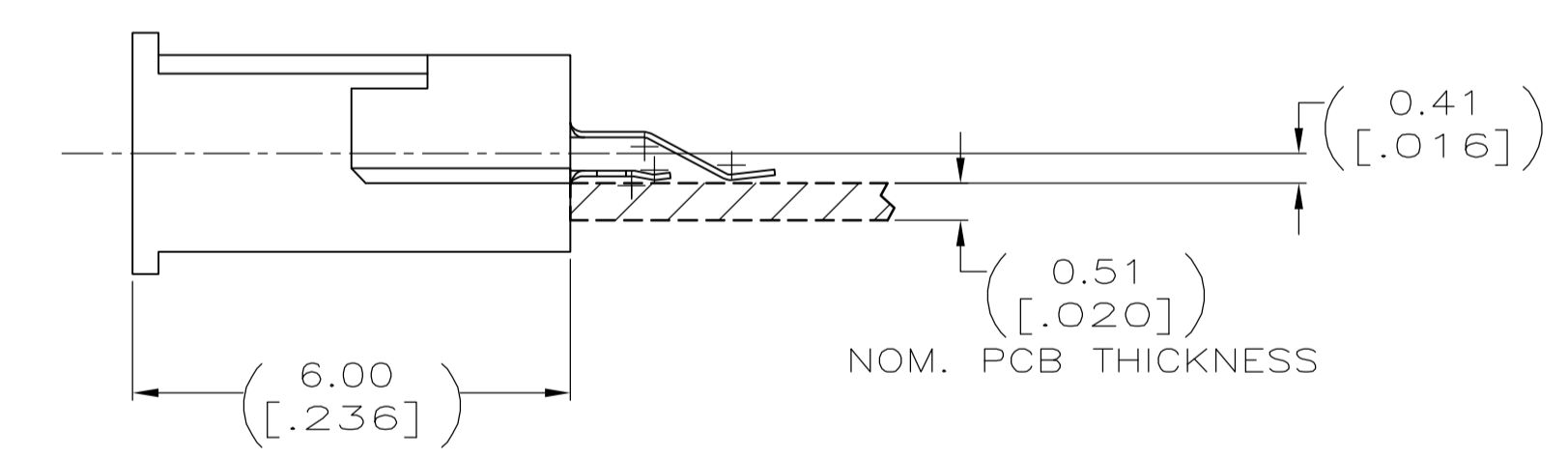
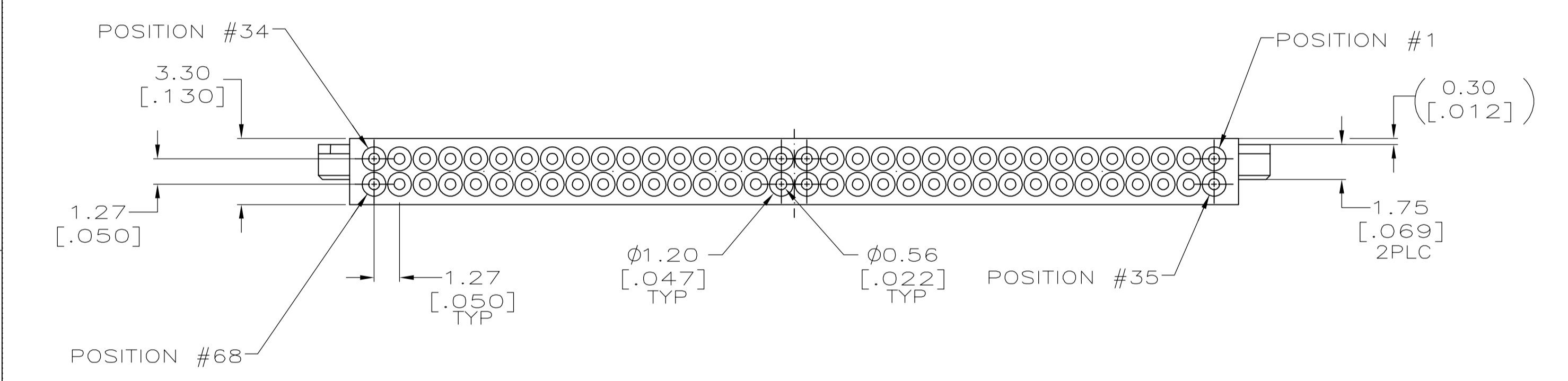


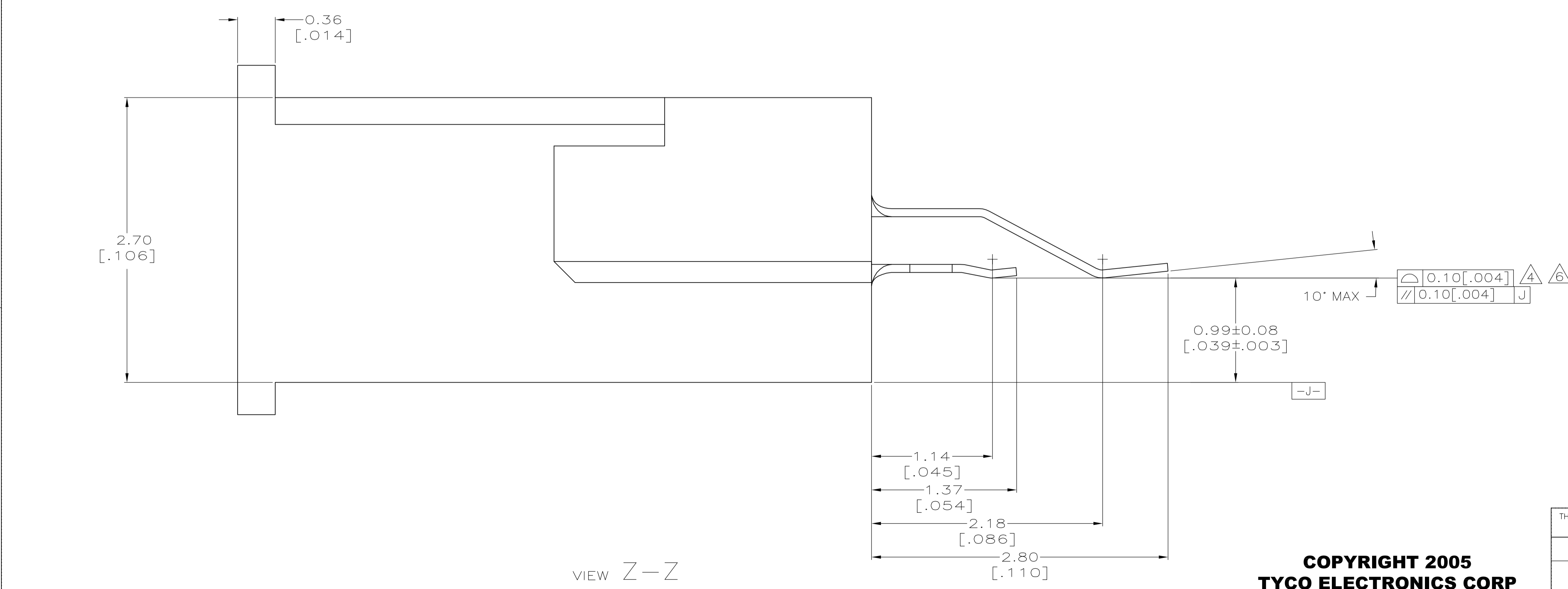
- △ HOUSING: LCP, GLASS FILLED, COLOR: BLACK.
- △ CONTACTS: BERYLLIUM COPPER.
- △ CONTACTS: 0.00076[.000030] MINIMUM GOLD ON MATING AREA, 0.00254[.000100] MINIMUM TIN ON SOLDER TAIL, ALL OVER 0.00127[.000050] MINIMUM NICKEL.
- △ DIMENSION IN REFERENCE TO LOWEST POINT OF EACH LEAD.
- 5. POINT OF CONTACT 2.3[.091] REF FROM MATING FACE.
- △ APPLIES TO ALL SOLDER TAILS.



RECOMMENDED PC BOARD LAYOUT



PC BOARD LOCATION (REF)
SCALE: 10:1



VIEW Z-Z
SCALE 40:1

**COPYRIGHT 2005
 TYCO ELECTRONICS CORP
 ALL RIGHTS RESERVED**

68	5146229-1
POSITIONS	PART NUMBER

THIS DRAWING IS A CONTROLLED DOCUMENT.		DWN A. FERNANDEZ-DOCK5 02-21-05	Tyco Electronics Corporation Harrisburg, PA 17105-3608	
DIMENSIONS: mm[INCHES]		CHK D. GORENC 02-21-05	APVD M. WALMSLEY NAME	
TOLERANCES UNLESS OTHERWISE SPECIFIED:		PRODUCT SPEC		
0 PLC ± -		APPLICATION SPEC		
1 PLC ± -		SIZE		
2 PLC ± 0.13 [.005]		CASE CODE		
3 PLC ± -		DRAWING NO		
4 PLC ± -		RESTRICTED TO		
ANGLES ± α 30°		WEIGHT		
MATERIAL		A1 00779 C=5146229		
FINISH		CUSTOMER DRAWING		
1/2		SCALE 5:1		
3		SHEET 1 of 1		
		REV 0		